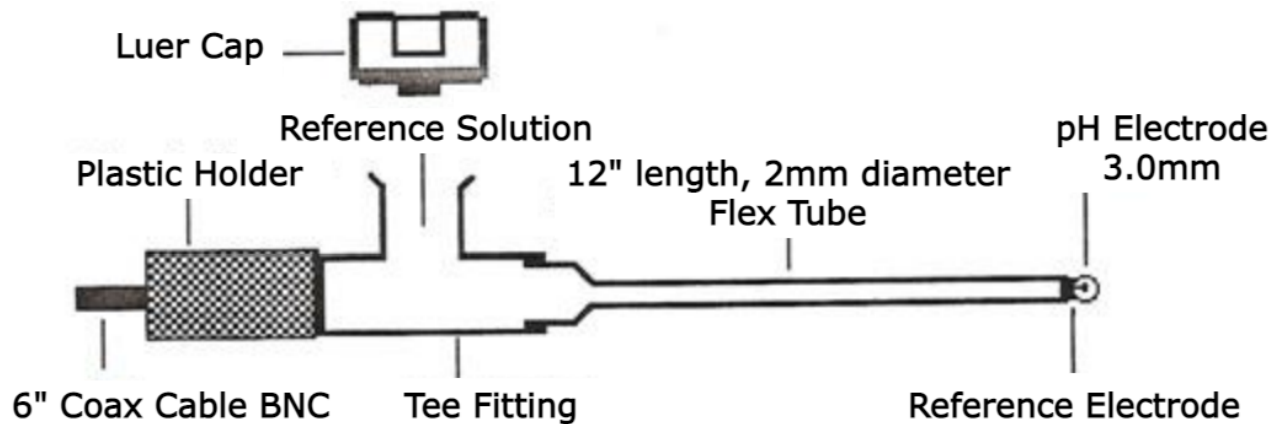


IC-701: pH Probe



Calibration and Use:

1. Connect the pH electrode to the BNC Input of a pH meter.
2. Place electrode tip in pH 7.00 buffer and set the meter to pH 7.00
3. Then calibrate in pH 4.00 or pH 10.00 buffer.

Characteristics:

1. Response Time: About 10 seconds, in a well stirred solution.
2. Stability: Within 0.05pH/day.
3. Slope: Over 55 mV/pH in the pH range of 1-14.
4. Impedance: Typically 300 Meg-Ohm.

WARNING: Excessive heat (over 60° Celsius) will permanently damage the electrode. Cold sterilization only.